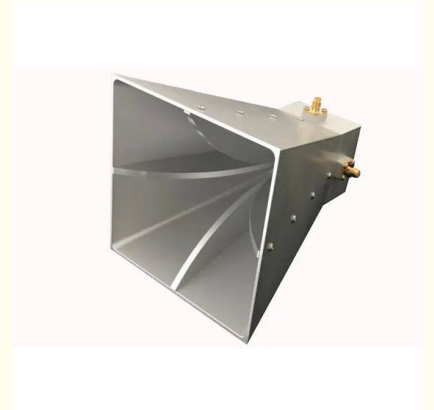


1.7GHz-6GHz Dual Polarization Horn Antenna Asymmetrical

Our Product Introduction

Basic Information

- Place of Origin: China
- Brand Name: Famous
- Certification: CE ISO9001
- Model Number: Horn Antenna
- Minimum Order Quantity: 1 SET
- Price: Negotiable
- Packaging Details: Standard export packaging/customizable packaging
- Payment Terms: T/T L/C



Product Specification

- Name: Asymmetrical Horn Antenna
- Material: Aluminum (integrated Processing)
- Frequency: 1.7-6GHz
- Standing Wave: ≤ 2
- Cross-polarization Isolation: ≥ 25 dB
- Interface: SMA-K
- Maximum Power: 50W
- Size: 135mm×112mm×112mm
- Highlight: **1.7GHz-6GHz Horn Antenna,
Dual Polarization Horn Antenna,
Dual Polarization Asymmetrical Horn Antenna**

for more products please visit us on mw-antenna.com

Product Description

Our Product Introduction

for more products please visit us on mw-antenna.com

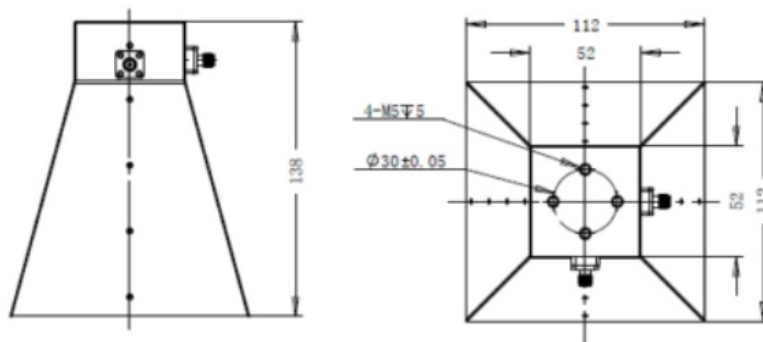
Port 1:

FrequencyMHz	Gain value	E-plane beamwidth	H-plane beamwidth	Front to rear ratio dB
1700	6.98	76.4	84.2	11.9
2000	8.15	68.2	67.3	13.3
2100	8.31	66.8	62.7	14.1
2500	9.24	65.8	56.9	18.5
2700	9.48	62.2	52.7	19.1
3000	10.54	57.1	45.6	21.3
3500	11.50	50.5	37.2	18.2
4000	10.22	52.8	33.7	17.4
4500	11.10	48.2	36.9	20.4
5000	11.52	48.7	35.3	21.3
5500	12.42	39.8	31.7	19.4
5800	12.60	38.8	36.3	19.2
6000	13.09	37.3	34.2	21.0

Port 2:

FrequencyMHz	Gain value	E-plane beamwidth	H-plane beamwidth	Front to rear ratio dB
1700	6.93	76.5	84.3	11.9
2000	8.20	68.0	67.2	13.3
2100	8.34	66.7	62.7	14.1
2500	9.28	65.6	56.8	18.6
2700	9.48	62.3	52.8	19.1
3000	10.50	57.0	45.6	18.0
3500	11.5	50.6	37.3	18.1
4000	10.2	53.1	33.9	17.4
4500	11.1	48.7	37.3	20.0
5000	11.5	49.3	35.8	20.5
5500	12.4	40.1	31.9	19.5
5800	12.7	38.1	35.2	19.3
6000	13.2	36.7	33.6	21.0

Structural dimensions:



Wuxi Famous Communication Equipment Co., Ltd.

+86 13255118228

eric@mw-antenna.com

mw-antenna.com

Room 803, Wisdom Building, No. 18 Wisdom Road, Huishan Economic Development Zone, Huishan District, Wuxi City, Jiangsu Province, China